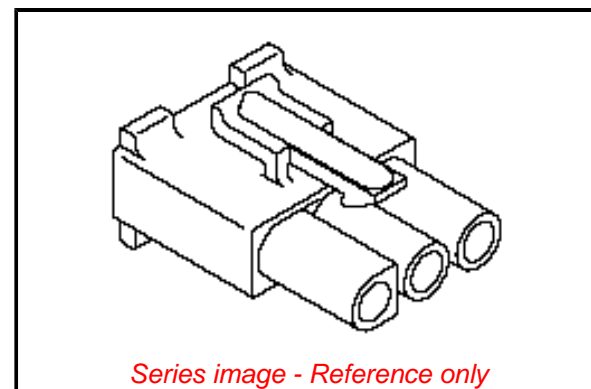


PLEASE CHECK WWW.MOLEX.COM FOR LATEST PART INFORMATION

Part Number: **0019095039**
Status: **Active**
Overview: Standard .093" Pin and Socket Connectors
Description: 2.36mm Diameter Standard .093" Pin and Socket Receptacle Housing with Positive Latch, 94V-0, without Panel Mount, 3 Circuits

Documents:

3D Model	Packaging Specification 31910001-PK-000 (PDF)
Drawing (PDF)	Packaging Specification PK-3191-001-001 (PDF)
3D Model (PDF)	RoHS Certificate of Compliance (PDF)
Product Specification PS-3191-001-001 (PDF)	



Agency Certification

UL E29179

General

Product Family	Crimp Housings
Series	3191
Application	Power, Wire-to-Board, Wire-to-Wire
Comments	Polarized to Mating Part, with Mounting Ears
Overview	Standard .093" Pin and Socket Connectors
Product Name	Standard .093"
Taxonomy	Connector Housings
UPC	191128092005

Physical

Circuits (maximum)	3
Circuits Detail	1x3
Color - Resin	Natural
Flammability	94V-0
Gender	Receptacle
Glow-Wire Capable	No
Keying to Mating Part	None
Lock to Mating Part	Yes
Material - Resin	Nylon
Net Weight	3.120/g
Number of Rows	1
Packaging Type	Bag
Panel Mount	No
Pitch - Mating Interface	6.70mm
Polarized to Mating Part	Yes
Stackable	No
Temperature Range - Operating	-40° to +105°C

Electrical

Current - Maximum per Contact 12.0A

Solder Process Data

Lead-freeProcess Capability N/A

Material Info

Engineering Number 3191-3R1-2

Reference - Drawing Numbers

Packaging Specification	31910001-PK-000, PK-3191-001-001
Product Specification	PS-3191-001-001

EU ELV

Not Relevant

EU RoHS

Compliant

REACH SVHC

Not Contained Per -

Halogen-Free

Status

Low-Halogen

For more information, please visit [Contact US](#)

China ROHS

ELV

RoHS Phthalates

China RoHS

Green Image

Not Relevant

Not Contained

Search Parts in this Series

[3191 Series](#)

Mates With

[19092036](#) , [19092037](#) , [19092038](#) ,
[19092039](#) , [5219](#)

Use With

Standard .093" Female Crimp Terminals
[1189](#) , [1381](#) , [1433](#) , [4550](#) . Standard .093"
Male Crimp Terminals [1190](#) , [1380](#) , [1434](#) ,
[1973](#) , [42138](#)

This document was generated on 10/19/2022

PLEASE CHECK WWW.MOLEX.COM FOR LATEST PART INFORMATION